

LI 1470 E



EN Washing Machine

User Manual



Electrolux

CONTENTS

1. SAFETY INFORMATION.....	3
2. SAFETY INSTRUCTIONS.....	4
3. PRODUCT DESCRIPTION.....	5
4. CONTROL PANEL.....	6
5. PROGRAMMES	9
6. CONSUMPTION VALUES.....	11
7. OPTIONS.....	12
8. SETTINGS.....	13
9. BEFORE FIRST USE.....	14
10. DAILY USE.....	14
11. HINTS AND TIPS.....	17
12. CARE AND CLEANING.....	18
13. TROUBLESHOOTING.....	22
14. INSTALLATION.....	24
15. TECHNICAL DATA.....	32

WE'RE THINKING OF YOU

Thank you for purchasing an Electrolux appliance. You've chosen a product that brings with it decades of professional experience and innovation. Ingenious and stylish, it has been designed with you in mind. So whenever you use it, you can be safe in the knowledge that you'll get great results every time.

Welcome to Electrolux.

Visit our website for:



Get usage advice, brochures, trouble shooter, service information:
www.electrolux.com



Register your product for better service:
www.registerelectrolux.com



Buy Accessories, Consumables and Original spare parts for your appliance:
www.electrolux.com/shop

CUSTOMER CARE AND SERVICE

Always use original spare parts.

When contacting our Authorised Service Centre, ensure that you have the following data available: Model, PNC, Serial Number.

The information can be found on the rating plate.



Warning / Caution-Safety information



General information and tips



Environmental information

Subject to change without notice.

1. ⚠ SAFETY INFORMATION

Before the installation and use of the appliance, carefully read the supplied instructions. The manufacturer is not responsible if an incorrect installation and use causes injuries and damages. Always keep the instructions with the appliance for future reference.

1.1 Children and vulnerable people safety

- This appliance can be used by children aged from 8 years and above and persons with reduced physical, sensory or mental capabilities or lack of experience and knowledge if they have been given supervision or instruction concerning use of the appliance in a safe way and understand the hazards involved.
- Do not let children play with the appliance.
- Children of less than 3 years should be kept away unless continuously supervised.
- Keep all packaging away from children.
- Keep all detergents away from children.
- Keep children and pets away from the appliance door when it is open.
- If the appliance has a child safety device, we recommend you activate it.
- Cleaning and user maintenance shall not be made by children without supervision.

1.2 General Safety

- Do not change the specification of this appliance.
- Obey the maximum load volume of 7 kg (refer to the “Programme chart” chapter).
- The operating water pressure (minimum and maximum) must be between 0,5 bar (0,05 MPa) and 8 bar (0,8 MPa).
- The ventilation openings in the base (if applicable) must not be obstructed by a carpet.

- The appliance is to be connected to the water mains using the new supplied hose-sets. Old hose sets must not be reused.
- If the supply cord is damaged, it must be replaced by the manufacturer, its Authorised Service Centre or similarly qualified persons in order to avoid a hazard.
- Before maintenance, deactivate the appliance and disconnect the mains plug from the mains socket.
- Do not use water spray and steam to clean the appliance.
- Clean the appliance with a moist soft cloth. Only use neutral detergents. Do not use abrasive products, abrasive cleaning pads, solvents or metal objects.

2. SAFETY INSTRUCTIONS

2.1 Installation

- Remove all the packaging and the transit bolts.
- Keep the transit bolts. When you move the appliance again you must block the drum.
- Always be careful when you move the appliance because it is heavy. Always wear safety gloves.
- Do not install or use a damaged appliance.
- Obey the installation instruction supplied with the appliance.
- Do not install or use the appliance where the temperature is less than 0 °C or where it is exposed to the weather.
- Make sure that the floor where you install the appliance is flat, stable, heat resistant and clean.
- Make sure that there is air circulation between the appliance and the floor.
- Adjust the feet to have the necessary space between the appliance and the carpet.
- Do not install the appliance where the appliance door can not be fully opened.
- Always use a correctly installed shockproof socket.
- Make sure that the electrical information on the rating plate agrees with the power supply. If not, contact an electrician.
- Do not use multi-plug adapters and extension cables.
- Make sure not to cause damage to the mains plug and to the mains cable. Should the mains cable need to be replaced, this must be carried out by our Authorised Service Centre.
- Connect the mains plug to the mains socket only at the end of the installation. Make sure that there is access to the mains plug after the installation.
- Do not touch the mains cable or the mains plug with wet hands.
- Do not pull the mains cable to disconnect the appliance. Always pull the mains plug.
- Only for UK and Ireland: The appliance has a 13 amp mains plug. If it is necessary to change the fuse in the mains plug, use a 13 amp ASTA (BS 1362) fuse.
- This appliance complies with the E.E.C. Directives.

2.2 Electrical connection

- The appliance must be earthed.

2.3 Water connection

- Make sure not to cause damage to the water hoses.
- Before you connect the appliance to new pipes or pipes not used for a long time, let the water flow until it is clean.
- The first time you use the appliance, make sure that there is no leakage.

2.4 Use



WARNING!

Risk of injury, electrical shock, fire, burns or damage to the appliance.

- Use this appliance in a household only.
- Obey the safety instructions on the detergent packaging.
- Do not put flammable products or items that are wet with flammable products in, near or on the appliance.
- Make sure that you remove all metal objects from the laundry.

- Do not put a container to collect possible water leakage under the appliance. Contact the Authorised Service Centre to ensure which accessories can be used.
- Do not touch the glass of the door while a programme operates. The glass can be hot.

2.5 Service

- To repair the appliance contact an Authorised Service Centre.
- Use original spare parts only.

2.6 Disposal



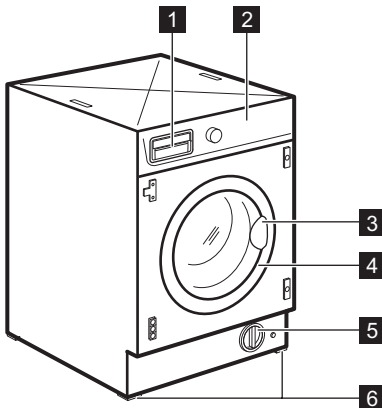
WARNING!

Risk of injury or suffocation.

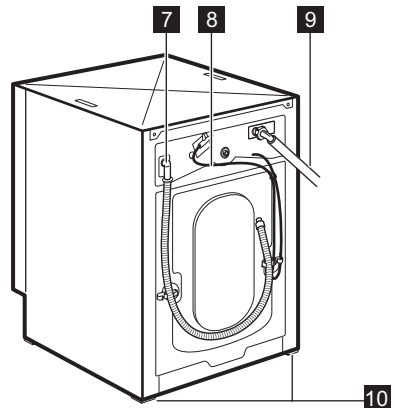
- Disconnect the appliance from the mains supply.
- Cut off the mains cable and discard it.
- Remove the door catch to prevent children and pets to get closed in the appliance.

3. PRODUCT DESCRIPTION

3.1 Appliance overview



- 1** Detergent dispenser
- 2** Control panel
- 3** Door handle
- 4** Rating plate
- 5** Drain pump filter



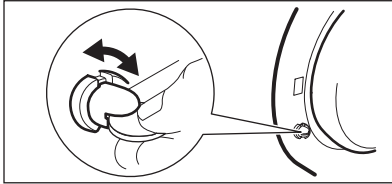
- 6** Feet for the appliance level
- 7** Water drain hose
- 8** Mains cable
- 9** Water inlet hose
- 10** Feet for the appliance level

3.2 How to activate the child safety device

This device prevents children or pets to be closed in the drum.

Turn the device clockwise, until the groove is horizontal.

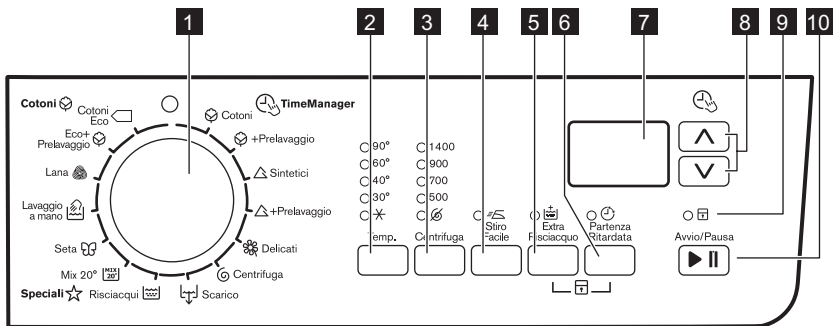
You cannot close the door.



To close the door, turn the device anticlockwise until the groove is vertical.

4. CONTROL PANEL

4.1 Control panel description



1 Programme knob

2 Temperatura button
Cold position ✖

3 Centrifuga button
No spin function ⚡

4 Stiro Facile button =/≡

5 Extra Risciacquo button 🚰

6 Partenza Ritardata button 🕒

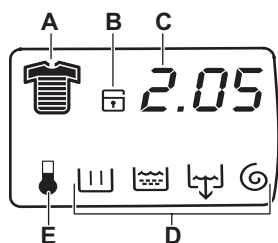
7 Display

8 Time Manager buttons ⏪ ⏩

9 Door locked indicator 🔒


10 Avvio/Pausa button ▶ ||

4.2 Display





The display shows the following information:


A	Soil degree indicators:
	Intensive
	Normal
	Daily
	Light
	Quick
	Quick
	Refresh
	Super Refresh
When you select a programme, the display shows the indicator of the soil degree automatically proposed by the appliance.	
B	Child safety lock (see «Settings» chapter).

- C** Digit area:
- **Duration of the selected programme**
After you select a programme, the duration is displayed in hours and minutes (e. g. *2.05*). The duration is calculated automatically on the basis of the maximum recommended load for each type of fabric. After the programme start, the time remaining is updated every minute.
 - **Delayed start**
The selected delay appears for a few seconds, then the display shows the duration of the selected programme again.
 - **Alarm codes**
In the event of operating problems, some alarm codes can be displayed, e. g. *E20* (see chapter «Troubleshooting»).
 - **Incorrect option selection**
If you set an option not compatible with the selected wash programme, the message *E r r* shows up for a few seconds and the red indicator of button Avvio/Pausa starts flashing.
 - **End of programme**
When the programme has finished, three flashing zeros *0.00* are displayed and the indicator of button Avvio/Pausa goes out.
If the indicator  goes off, you can open the door.

D Washing programme phase indicators:


 Wash

 Rinses

 Drain










 Spin






By selecting the wash programme, the washing programme indicators corresponding to the various phases making up the programme are shown. After you have pressed the Avvio/Pausa button, only the indicator of the running phase stays on.

- E**  During the washing cycle the display shows a temperature icon indicating that the appliance has started the heating phase of the water in the tub.

5. PROGRAMMES

5.1 Programme Chart

Programme Temperature range	Maximum load Reduced load ¹⁾ Maximum spin speed	Programme description (Type of load and soil level)
 Cotoni 90°C - ❄️ (Cold)	7 kg 3.5 kg 1400 rpm	White cotton and coloured cotton. Normal soil and light soil.
 + Prelavaggio Cotoni + Prelavaggio 90°C - ❄️ (Cold)	7 kg 3.5 kg 1400 rpm	White cotton and coloured cotton. Heavy soil and normal soil.
 Sintetici 60°C - ❄️ (Cold)	3 kg 1.5 kg 900 rpm	Synthetic items or mixed fabric items. Normal soil.
 + Prelavaggio Sintetici + Prelavaggio 60°C - ❄️ (Cold)	3 kg 1.5 kg 900 rpm	Synthetic items or mixed fabric items. Heavy soil and normal soil.
 Delicati 40°C - ❄️ (Cold)	3 kg 1.5 kg 700 rpm	Delicate fabrics as acrylics, viscose, polyester items. Normal soil.
 Centrifuga	7 kg 1400 rpm	To spin the laundry and to drain the water in the drum. All fabrics.
 Scarico	7 kg	To drain the water in the drum. All fabrics.
 Risciacqui	7 kg 1400 rpm	To rinse and spin the laundry. All fabrics.
 Mix 20° 20°C	3 kg 900 rpm	Special programme for cotton, synthetic and mixed fabrics with light soil. Set this programme to decrease the energy consumption. Make sure that the detergent is for low temperature in order to have good washing results ²⁾ .

Programme Temperature range	Maximum load Reduced load ¹⁾ Maximum spin speed	Programme description (Type of load and soil level)
 Seta 30°C - ❄️ (Cold)	1 kg 700 rpm	Special programme for silk and mixed synthetic items .
 Lavaggio a mano 40°C - ❄️ (Cold)	2 kg 900 rpm	Machine washable wool, hand washable wool and delicate fabrics with «hand washing» care symbol. ³⁾
 Lana 40°C - ❄️ (Cold)	2 kg 900 rpm	Machine washable wool, hand washable wool and delicate fabrics with «hand washing» care symbol. ³⁾
 Eco+Prelavaggio 90°C - 40°C	7 kg 1400 rpm	White cotton and colour-fast cotton. Normal soil with stains. The energy consumption decreases and the time of the washing programme is extended.
 Cotoni Eco ⁴⁾ 90°C - 40°C	7 kg 1400 rpm	White cotton and colour-fast cotton. Normal soil. The energy consumption decreases and the time of the washing programme is extended.

1) If you select the Super Quick, Refresh and Super Refresh option by pressing buttons Time Manager, we recommend that you reduce the maximum load as indicated in the programmes for cottons, synthetics and delicates. Full loading is possible however with somewhat reduced cleaning results.

2) The appliance performs the short heating phase if the water temperature is below 20°C. The appliance can show the temperature setting as “cold”.

3) During this cycle the drum rotates slowly to ensure a gentle washing. It can seem that the drum doesn't rotate or doesn't rotate properly. Consider this as a normal functioning of the appliance.















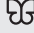




4) **Standard programmes for the Energy Label consumption values.** According to regulation 1061/2010, these programmes with temperature selected 60°C and with temperature selected 40°C are respectively the «Standard 60°C cotton programme» and the «Standard 40°C cotton programme». They are the most efficient programmes in terms of combined energy and water consumption for washing normally soiled cotton laundry.



The water temperature of the washing phase may differ from the temperature declared for the selected programme.

Programme options compatibility

Programme						
	■	■	■	■	■	■

Programme						
 + Prelavaggio	■	■	■	■	■	■
	■	■	■	■	■	■
 + Prelavaggio	■	■	■	■	■	■
	■	■		■	■	■
	■					■
						
	■	■	■	■		■
	■	■		■		■
	■	■				■
	■	■				■
	■	■				■
 Eco+Prelavaggio	■	■	■	■		■
	■	■	■	■		■

1) Set the spin speed. Make sure it agrees with the laundry. If you set No Spin option the only drain phase is available.

6. CONSUMPTION VALUES



The data of this table are approximate. Different causes can change the data: the quantity and type of laundry, the water and ambient temperature.

Programmes	Load (kg)	Energy consumption (kWh)	Water consumption (litre)	Approximate programme duration (minutes)	Remaining moisture (%) ¹⁾
Cotoni 60 °C	7	1.35	67	150	52
Cotoni 40 °C	7	0.85	67	140	52
Sintetici 40 °C	3	0.55	42	90	35
Delicati 40 °C	3	0.55	63	65	35

Programmes	Load (kg)	Energy consumption (kWh)	Water consumption (litre)	Approximate programme duration (minutes)	Remaining moisture (%) ¹⁾
Lana 30 °C ²⁾	2	0.25	55	60	30
Standard cotton programmes					
Standard 60 °C cotton	7	1.01	52	180	52
Standard 60 °C cotton	3.5	0.78	44	149	52
Standard 40 °C cotton	3.5	0.61	44	140	52

1) At the end of spin phase.

2) Not available for some models.

Off Mode (W)	Left On Mode (W)
0,10	0,98
The information given in the chart above are in compliance with the EU Commission regulation 1015/2010 implementing directive 2009/125/EC.	

7. OPTIONS

7.1 Programme knob

This knob allows you to select a programme, to reset a programme and/or to switch the appliance on/off .

The knob can be turned either clockwise or counterclockwise.

At the end of the programme, turn the knob to position ① to deactivate the appliance.

7.2 Temperatura

Press this button to increase or decrease the default washing temperature.

If you set the position ✱, the appliance performs the washing with cold water.

The indicator of the set temperature illuminates.

7.3 Centrifuga

Press this button to increase or decrease the default spin speed of the selected programme or to select the additional option.

The indicator of the set speed illuminates.

Additional spin option:

NO SPIN 

- Set this option to remove all spin phases.
- Set it for extremely delicate fabrics.
- The rinse phase uses more water for some washing programmes.



To drain the water refer to 'At the end of the programme'.

7.4 Stiro Facile

The appliance carefully washes and spins the laundry to prevent the creases.

The appliance decreases the spin speed, uses more water and adapts the programme duration to the type of laundry.

The related indicator comes on.

7.5 Extra Risciacquo

Press this button to add some rinses to the washing programme.

Use this option for persons allergic to detergents and in areas where the water is soft.

The related indicator comes on.

7.6 Partenza Ritardata

Press this button to delay the start of the programme by 30 min - 60 min - 90 min, 2 hours and then by 1 hour up to a maximum of 20 hours.



The button indicator illuminates. The display shows the selected delay value.




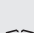

7.7 Time Manager

Press this button to increase or decrease the programme duration proposed by the appliance.

The indicator of the chosen degree will appear on the display.

This option is available only with Cottons, Synthetics and Delicate programmes.

Washing cycle	Soil level	Type of fabrics
Intensive		Heavy soiled items
Normal		Normal soiled items

Washing cycle	Soil level	Type of fabrics
Daily		Daily soiled items
Light		Slightly soiled items
Quick		Very slightly soiled items
Super Quick ¹⁾		Items used or worn for a short time
Refresh ¹⁾		To refresh items only
Super Refresh ¹⁾		To refresh few items only


1) It is recommended to reduce the load sizes.

2) When you select this option the relevant indicator appears just for a while and then it disappears immediately.



The availability of the soil degree changes according to the type of fabric and temperature.

7.8 Door locked indicator

The indicator  goes on when the programme starts and indicates if the door can be opened:

- indicator on: the door cannot be opened.
- indicator off: the door can be opened.
- indicator flashing: the door is opening.

7.9 Avvio/Pausa



Press this button to start or to interrupt the selected programme.

- The programme is completed.
- The appliance has a malfunction.

8. SETTINGS

8.1 Acoustic signals

The acoustic signals sound when:

To **deactivate/activate** the acoustic signals, press button  and button  at the same time for about 6 seconds.



If you deactivate the acoustic signals, they continue operate when the appliance has a malfunction.

8.2 Child Lock function

With this function you can leave the appliance unattended and prevent that the children play with the control panel.

9. BEFORE FIRST USE

1. Put a small quantity of detergent in the compartment for washing phase.
2. Set and start a programme for cotton at the highest temperature without laundry.

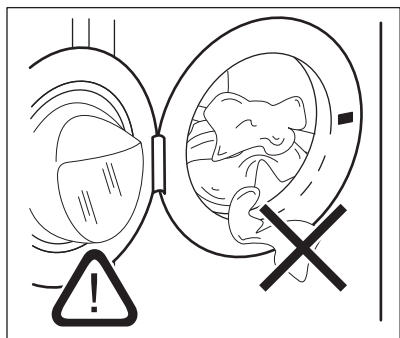
10. DAILY USE

10.1 Loading the laundry

1. Open the appliance door
2. Put the laundry in the drum, one item at a time.
3. Shake the items before you put them in the appliance.

Make sure not to put too much laundry in the drum.

4. Close the door.



CAUTION!

Make sure that no laundry stays between the seal and the door. There is a risk of water leakage or damage to the laundry.

- To **activate/deactivate** this function, press  and  at the same time until the indicator  comes on/goes off in the display.

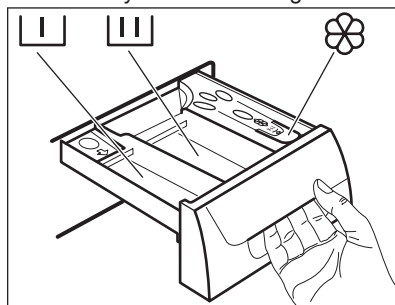
You can activate this option in two ways:

- After you press Avvio/Pausa: the options and the programme knob are locked.
- Before you press Avvio/Pausa : the appliance cannot start.

This removes all possible dirt from the drum and the tub.

10.2 Using detergent and additives

1. Measure out the detergent and the fabric conditioner.
2. Carefully close the detergent drawer







10.3 Detergent compartments




CAUTION!

Use only specified detergents for washing machine.


-  Always obey the instructions that you find on the packaging of the detergent products.

	Detergent compartment for pre-wash phase.
	Detergent compartment for washing phase.
	Compartment for liquid additives (fabric conditioner, starch).

10.4 Bleach

Alternatively the softener, it is also possible to use a bleach agent in the compartment  with the programmes for white cottons.


Proceed as follows:

- Put the bleach in the compartment .

Do not exceed the «MAX» mark in the detergent dispenser drawer.

- Run a programme for white cottons.
- At the end of the programme, run the programme RINSE. Use softener, if desired.



This helps to eliminate any bleach residues.

-  Never pour bleach and softener into the compartment at the same time.

10.5 Switching the appliance on and setting a programme

- Turn the programme knob to switch the appliance on and to set the required programme:
 - The display shows the default level of Time Manager, the programme duration and the programme phases indicators of the selected programme.
 - The indicator of Avvio/Pausa button flashes in green.


- If necessary, change the temperature, the spin speed, the cycle duration or add available options. When you activate an option, the related indicator comes on.


-  If you set something not compatible with the selected programme, the display shows the message . The Avvio/Pausa button indicator flashes in red 3 times.

10.6 Starting a programme with the delay start


- Press the Partenza Ritardata button repeatedly until the display shows the delay you want to set. The related indicator illuminates.

The selected delay time value (up to 20 hours) will appear on the display a few seconds, then the duration of the programme will appear again.

- Press the Avvio/Pausa button.
 - The door is locked and the indicator  is on.
 - The appliance starts the countdown.
 - When the countdown is completed, the programme starts automatically.

-  You can cancel or change the set of the Partenza Ritardata before you press the Avvio/Pausa button. After pressing the Avvio/Pausa button you can only cancel the Partenza Ritardata.

To cancel the Partenza Ritardata:


- Press the Avvio/Pausa button to set the appliance to pause. The related indicator flashes.
- Press the Partenza Ritardata button until the display shows . Press the Avvio/Pausa button again to start the programme immediately.



The Partenza Ritardata can not be selected with the draining programme.

10.7 Starting a programme without the delay start

Press the Avvio/Pausa button.

- The green Avvio/Pausa indicator stops flashing and stays on.
- The programme starts, the door locks, the indicator  illuminates and stays on.
- The programme time on the display decreases with steps of one minute.




The drain pump can operate for a short time at the beginning of the washing cycle.

10.8 Interrupting a programme and changing the options

You can change only some options before the programme carries them out.

1. Press the Avvio/Pausa button to interrupt the running programme. The related indicator flashes.
2. Change the options (if you wish to change the Time Manager option, you must cancel the running programme and make your selection again).
3. Press the Avvio/Pausa button again. The programme continues.


10.9 Cancelling a running programme

1. Turn the programme knob to  position to cancel the programme. The appliance is deactivated.
2. Now, you can set a new washing programme and the available options.



Before starting the new programme the appliance could drain the water. In this case, make sure that the detergent is still in the detergent compartment; if not, fill the detergent again.

10.10 Opening the door


While a programme is running or during the Partenza Ritardata, the appliance door is locked. The indicator  is on.





CAUTION!

If the temperature and level of the water in the drum are too high and the drum still rotates, you cannot open the door.


To open the door during the first minutes of the cycle or when the Partenza Ritardata operates:

1. Press the Avvio/Pausa button to pause the appliance.
2. Wait until the indicator  goes off.
3. You can open the door.
4. Close the door and press the Avvio/Pausa button again. The programme (or the Partenza Ritardata) continues.


10.11 At the end of the programme

- The appliance stops automatically. Some acoustic signals sound (if they are activated).
- In the display the value **0.00** come on. The Avvio/Pausa indicator goes off.
- When the door lock indicator  goes off, you can open the door.
- Remove the laundry from the appliance. Make sure that the drum is empty. Close the water tap.
- Turn the programme knob to  position to deactivate the appliance.
- Keep the door ajar, to prevent the mildew and odours.



The washing programme is completed, but there is water in the drum:

- The drum turns regularly to prevent the creases in the laundry.
- The door lock indicator  is on. The door stays locked.
- You must drain the water to open the door.

To drain the water:

1. Turn the programme knob to  position and then select a spinning or draining programme.
2. Press the Avvio/Pausa button. If necessary, decrease the spin speed.

The appliance spins and drains or only drains.

3. When the programme is completed and the indicator  goes off, you can open the door.
4. Turn the programme knob to  position to deactivate the appliance.

10.12 Stand-by

Once the programme has finished, after a few minutes the energy saving system will be enabled.

The brightness of the display is reduced.

By pressing any button the appliance will come out of the energy saving status.

11. HINTS AND TIPS



WARNING!

Refer to Safety chapters.

11.1 The laundry load

- Divide the laundry in: white, coloured, synthetics, delicates and wool.
- Obey the washing instructions that are on the laundry care labels.
- Do not wash together white and coloured items.
- Some coloured items can discolour with the first wash. We recommend that you wash them separately for the first times.
- Button up pillowcases, close zippers, hooks and poppers. Tie up belts.
- Empty the pockets and unfold the items.
- Turn inside out multilayered fabrics, wool and items with painted illustrations.
- Remove hard stains.
- Wash with a special detergent heavy soil stains.
- Be careful with the curtains. Remove the hooks or put the curtains in a washing bag or pillowcase.
- Do not wash in the appliance laundry without hems or with cuts. Use a washing bag to wash small and/or delicate items (e.g. underwired bras, belts, tights, etc.).

- A very small load can cause balance problems with the spin phase. If this occurs, adjust manually the items in the tub and start the spin phase again.

11.2 Stubborn stains

For some stains, water and detergent is not sufficient.

We recommend that you remove these stains before you put the items in the appliance.

Special stain removers are available. Use the special stain remover that is applicable to the type of stain and fabric.

11.3 Detergents and additives

- Only use detergents and additives specially made for washing machines:
 - powder detergents for all types of fabric,
 - powder detergents for delicate fabrics (40 °C max) and woollens,
 - liquid detergents, preferably for low temperature wash programmes (60 °C max) for all types of fabric, or special for woollens only.
- Do not mix different types of detergents.

- To help the environment, do not use more than the correct quantity of detergent.
- Obey the instructions that you find on the on packaging of these products.
- Use the correct products for the type and colour of the fabric, the programme temperature and the level of soil.
- If your appliance has not the detergent dispenser with the flap device, add the liquid detergents with a dosing ball (supplied by the detergent's manufacturer).

11.4 Ecological hints

- Set a programme without the prewash phase to wash laundry with normal soil.
- Always start a washing programme with the maximum load of laundry.

12. CARE AND CLEANING



WARNING!

Refer to Safety chapters.

12.1 External cleaning

Clean the appliance only with soap and warm water. Fully dry all the surfaces.



CAUTION!

Do not use alcohol, solvents or chemical products.

12.2 Descaling

If the water hardness in your area is high or moderate, we recommend that you use a water descaling product for washing machines.

Regularly examine the drum to prevent limescale and rust particles.

To remove rust particles use only special products for washing machine. Do this separately from the laundry wash.



Always obey the instructions that you find on the packaging of the product.

- If necessary, use a stain remover when you set a programme with a low temperature.
- To use the correct quantity of the detergent, check the water hardness of your domestic system

11.5 Water hardness

If the water hardness in your area is high or moderate, we recommend that you use a water softener for washing machines. In areas where the water hardness is soft it is not necessary to use a water softener.

To know the water hardness in your area, contact your local water authority.

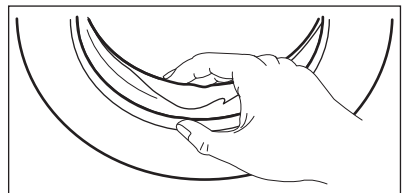
Use the correct quantity of the water softener. Obey the instructions that you find on the packaging of the product.

12.3 Maintenance wash

With the low temperature programmes it is possible that some detergent stays in the drum. Make regularly a maintenance wash. To do this:

- Remove the laundry from the drum.
- Set the cotton programme with the highest temperature with a small quantity of detergent.

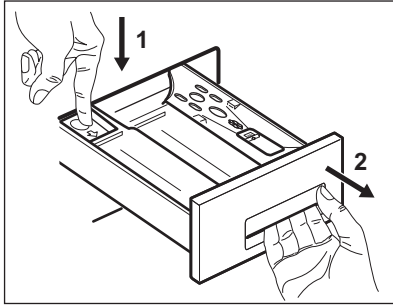
12.4 Door seal



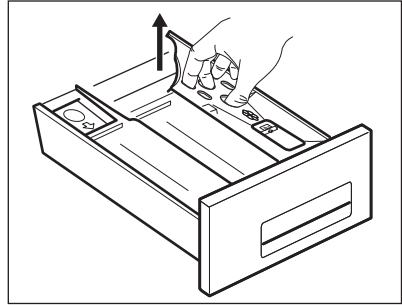
Regularly examine the seal and remove all objects from the inner part.

12.5 Cleaning the detergent dispenser

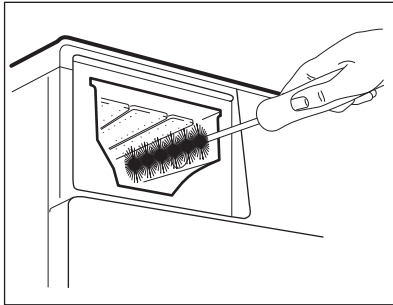
1.



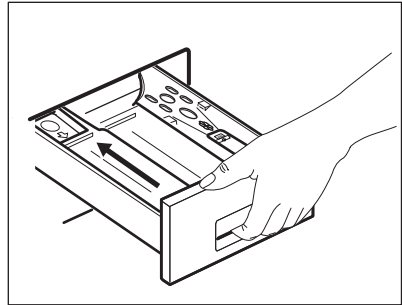
2.



3.



4.



12.6 Cleaning the drain filter

The pump should be inspected regularly and particularly if:

- The appliance does not empty and/or spin.
- The appliance makes an unusual noise during draining due to objects such as safety pins, coins etc. blocking the pump.
- A problem with water draining is detected (see chapter "Troubleshooting" for more details).



WARNING!

Before unscrewing the pump cover, switch the appliance off and remove the mains plug from the socket.

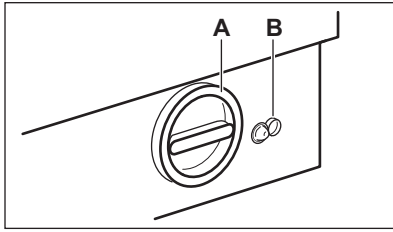


WARNING!

When the appliance is in use and depending on the programme selected there can be hot water in the filter. Never remove the filter cover during a wash cycle, always wait until the appliance has finished the cycle, and is empty. When refitting the filter cover, ensure it is securely re-tightened so as to stop leaks and young children being able to remove it.

1. Unplug the appliance.
2. If it is necessary, wait until the water has cooled down

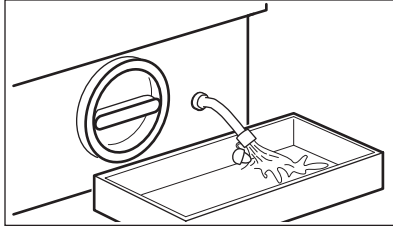
To clean the drain filter:



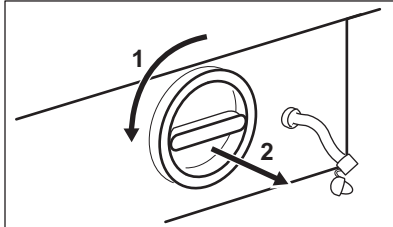
3. Place a container close to the pump to collect any spillage.

A = Cover filter.

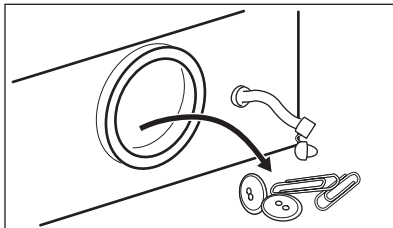
B = Emergency emptying hose.



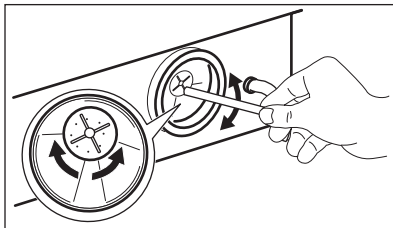
4. Release the emergency emptying hose, place it in the container and remove its cap cover.



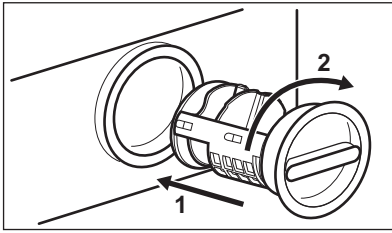
5. When no more water comes out, unscrew the filter cover by turning it anti-clockwise and remove the filter. Use pliers, if necessary. Always keep a rag nearby to dry up any water spillages when removing the cover. Clean the filter under a tap, to remove any traces of fluff.



6. Remove foreign bodies and fluff from the filter seat and from the filter impeller.

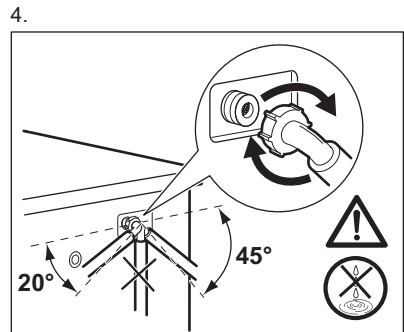
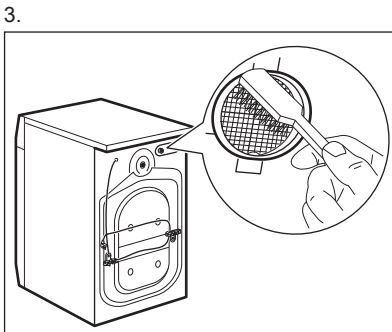
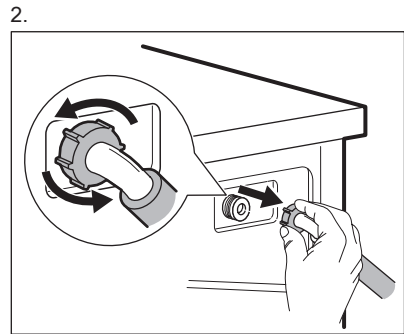
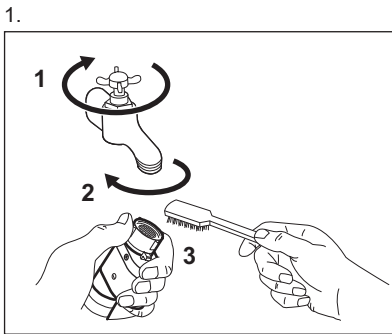


7. Check carefully whether the pump impeller rotates (it rotates jerkily). If it doesn't rotate, please contact your Service Centre.



8. Put the cap back on the emergency emptying hose and place the latter back in its seat. Replace the filter into the pump by inserting it correctly into the special guides. Screw the filter cover firmly by turning it clockwise.

12.7 Cleaning the inlet hose and the valve filter



12.8 Frost precautions

If the appliance is installed in an area where the temperature can be less than 0° C, remove the remaining water from the inlet hose and the drain pump.

1. Disconnect the mains plug from the mains socket.
2. Close the water tap.
3. Place the end of the emergency emptying hose and that of the inlet hose in a bowl placed on the floor and let water flow out of the hoses.

4. Set the Drain programme and let it operate until the end of the cycle.
5. Turn the programme knob to ① to disconnect the appliance from the power supply.
6. Screw the water inlet hose back on and re-fit the emergency emptying hose after having put the cap on again.



WARNING!
 Make sure that the temperature is more than 0 °C before you use the appliance again.
 The manufacturer is not responsible for damages caused by low temperatures.

12.9 Emergency emptying out

If the appliance does not drain the water, proceed as follows:

1. Disconnect the mains plug from the mains socket.
2. Close the water tap.
3. If necessary, wait until the water has cooled down.

4. Place a bowl on the floor and put the end of the emergency emptying hose into the bowl. Remove its cap. The water should drain by gravity into the bowl.
5. When the bowl is full, put the cap back on the emergency hose.
6. Empty the bowl. Repeat the procedure until water stops flowing out.
7. Clean the pump if necessary as previously described.
8. Replace the emergency emptying hose in its seat after having plugged it.
9. Screw the water inlet hose back on.

13. TROUBLESHOOTING



WARNING!
 Refer to Safety chapters.

13.1 Introduction

The start of the appliance does not occur or it stops during operation.

First try to find a solution to the problem (refer to the table). If not, contact the Authorised Service Centre.

With some problems, the acoustic signals operate and the display shows an alarm code:

- *E10* - The appliance does not fill with water properly.
- *E20* - The appliance does not drain the water.
- *E40* - The appliance door is open or not closed correctly. Please check the door!
- *E40* - The mains supply is unstable. Wait until the mains supply is stable.



WARNING!
 Deactivate the appliance before you do the checks.

13.2 Possible failures

Problem	Possible cause/solution
The programme does not start.	Make sure that the mains plug is connected to the mains socket.
	Make sure that the appliance door is closed.
	Make sure that there is not a damaged fuse in the fuse box.
	Make sure that the Start/Pause has been pressed.
	If the delay start is set, cancel the setting or wait for the end of countdown.
	Deactivate the Child Lock function if it is on (if available).

Problem	Possible cause/solution
The appliance does not fill with water properly.	Make sure that the water tap is open.
	Make sure that the pressure of the water supply is not too low. For this information, contact your local water authority.
	Make sure that the water tap is not clogged.
	Make sure that the filter of the inlet hose and the filter of the valve are not clogged. Refer to "Care and cleaning".
	Make sure that the inlet hose has no kinks or bends.
	Make sure that the connection of the water inlet hose is correct.
	Make sure that the drain hose is in the correct position. The hose may be too low.
The appliance does not drain the water.	Make sure that the sink spigot is not clogged.
	Make sure that the drain hose has no kinks or bends.
	Make sure that the drain filter is not clogged. Clean the filter, if necessary. Refer to 'Care and cleaning'.
	Make sure that the connection of the drain hose is correct.
	Set the drain programme if you set a programme without drain phase.
The spin phase does not operate or the washing cycle lasts longer than usually.	Set the spin programme.
	Make sure that the drain filter is not clogged. Clean the filter, if necessary. Refer to 'Care and cleaning'.
There is water on the floor.	Adjust manually the items in the tub and start the spin phase again. This problem may be caused by balance problems.
	Make sure that the couplings of the water hoses are tight and there is not water leakages.
	Make sure that the drain hose have no damages.
	Make sure you use the correct detergent and the correct quantity of it.
	Make sure you have replaced the emergency emptying cap into the filter
	Make sure you have properly screwed the filter in after cleaning.

Problem	Possible cause/solution
You cannot open the appliance door.	Make sure that the washing programme is finished.
	Set the drain or the spin programme if there is water in the drum.
The appliance makes an unusual noise.	Make sure the levelling of the appliance is correct. Refer to 'Installation'.
	Make sure that the packaging and/or the transit bolts are removed. Refer to 'Installation'.
	Add more laundry in the drum. The load may be too small.
The washing results are not satisfactory.	Increase the detergent quantity or use a different detergent.
	Use special products to remove the stubborn stains before you wash the laundry.
	Make sure that you set the correct temperature.
	Decrease the laundry load.

After the check, activate the appliance. The programme continues from the point of interruption.

If the problem occurs again, contact the Authorised Service Centre.

If the display shows other alarm codes. Deactivate and activate the appliance. If the problem continues, contact the Service.

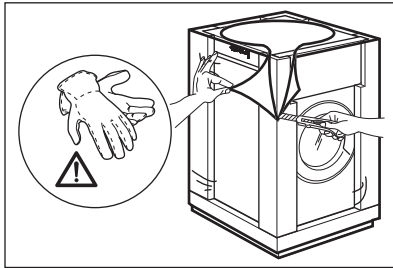
14. INSTALLATION

14.1 Unpacking

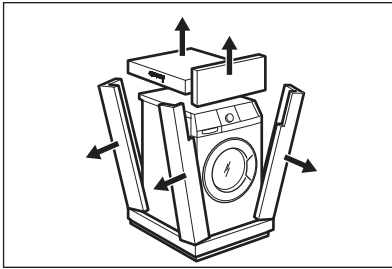


WARNING!

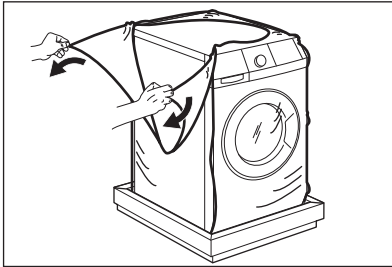
Remove all the packaging and the transit bolts before installing the appliance.



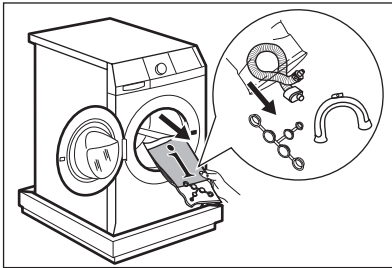
Use the gloves. Remove the external film. If necessary, use a cutter.



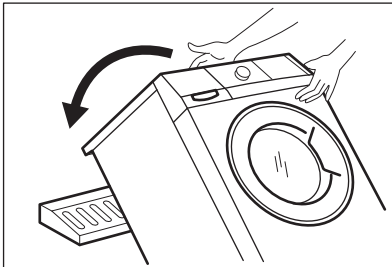
Remove the cardboard top. Remove the polystyrene packaging materials.



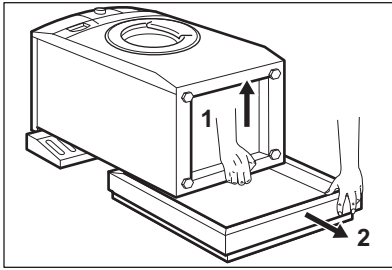
Remove the internal film.



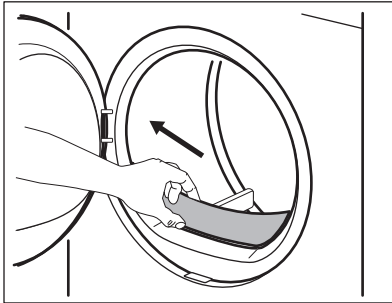
Open the door. Remove the polystyrene piece from the door seal and all the items from the drum.



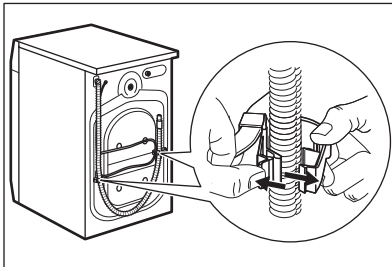
Put one of the polystyrene packaging elements on the floor behind the appliance. Carefully put down the appliance with the rear side on it. Make sure not to damage the hoses.



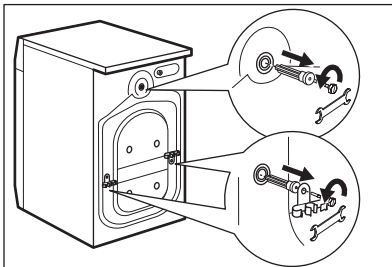
Remove the polystyrene protection from the bottom. Pull up the appliance in vertical position.



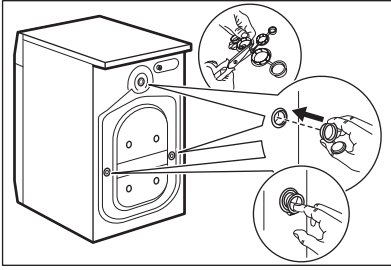
Remove the polystyrene block fitted on the door seal (if present). Pull out all items from the drum.



Remove the power supply cable and the drain hose from the hose holders.



Remove the three bolts. Use the key supplied with the appliance. Pull out the plastic spacers.

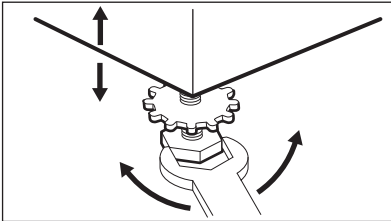


Put the plastic caps in the holes. You can find these caps in the user manual bag.

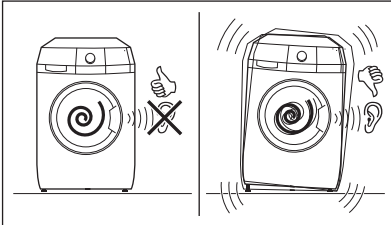


We recommend that you keep the packaging and the transit bolts for any movements of the appliance.

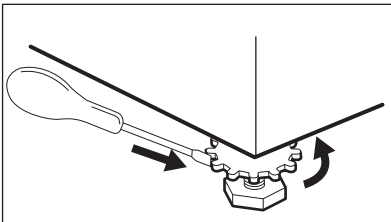
14.2 Positioning and levelling



- Install the appliance on a flat hard floor.
- Make sure that air circulation around the appliance is not impeded by carpets, rugs etc.
- Level the appliance by raising or lowering the feet.



- The feet may be tight to adjust as they incorporate a self locking nut, but the appliance **MUST** be level and stable. If necessary, check the setting with a spirit level. Any necessary adjustment can be made with a spanner. Accurate levelling prevents vibration, noise and displacement of the appliance during operation.



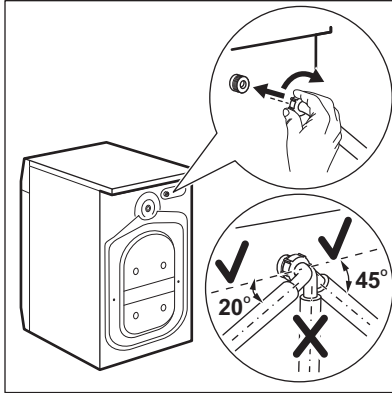
- After having levelled the appliance, tighten the lock nuts.



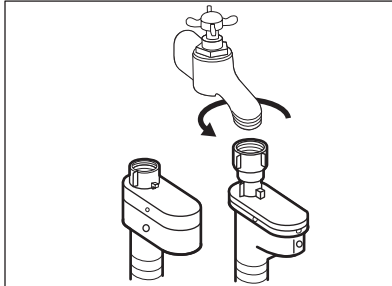
WARNING!

Never place cardboard, wood or similar materials under the appliance to compensate for any unevenness in the floor.

14.3 The inlet hose



- Connect the hose to the back appliance. Turn the inlet hose only left or right.
- Loose the ring nut to set it in the correct position.



- Connect the water inlet hose to the cold water tap with 3/4 thread.



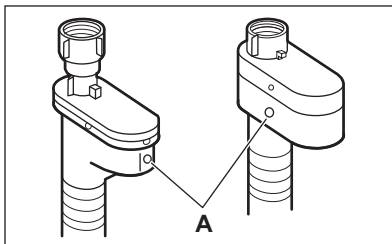
CAUTION!

Make sure that there are no leaks from the couplings.



Do not use an extension hose if the inlet hose is too short. Contact the service centre for the replacement of the inlet hose.

14.4 Water-stop device



The inlet hose has a water stop device. This device prevents water leaks in the hose because of its natural ageing.

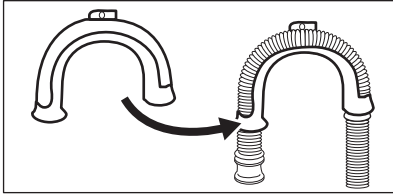
The red sector in the window «A» shows this fault.

If this occur, close the water tap and contact the service centre to replace the hose.

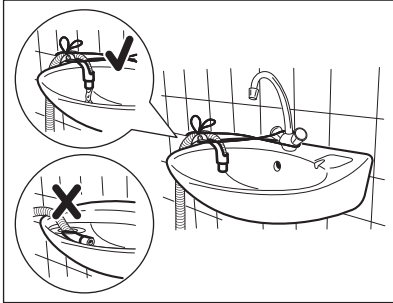
14.5 Water drainage

There are different procedures to connect the drain hose:

With the plastic hose guide:

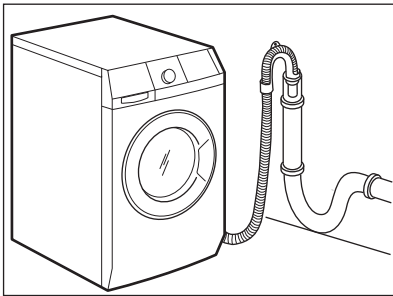


- Making an U form with the drain hose.



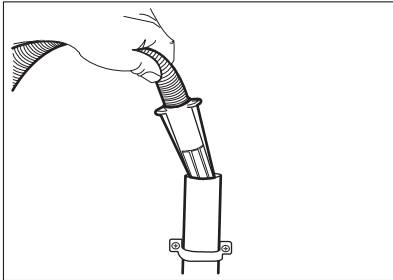
On the edge of a sink

- Make sure that the plastic guide cannot move when the appliance drains. Attach the guide to the water tap or the wall.



To a stand pipe with vent-hole

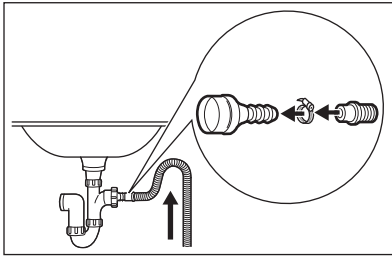
- Directly into a drain pipe at a height of not less than 60 cm (23.6") and not more than 100 cm (39.3"). Refer to the illustration.
- The end of the drain hose must always be ventilated, i.e. the inner diameter of the drain pipe (min. 38 mm - min. 1.5") must be larger than the external diameter of the drain hose.



Drain hose end

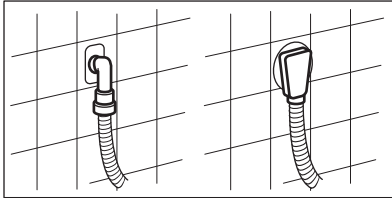
- If the end of the drain hose looks like this (see the picture), you can push it directly into the stand pipe.

Without the plastic hose guide.



To a sink spigot

- Refer to the illustration. Put the drain hose in the spigot and tighten it with a clip.
- Make sure that the drain hose makes a loop to prevent that remaining particles go in the appliance from the sink.



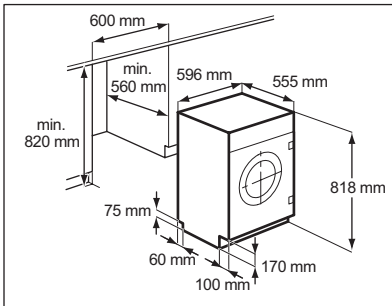
To a wall-pipe

- Directly to a built-in drain pipe in the room wall and tighten it with a clip.



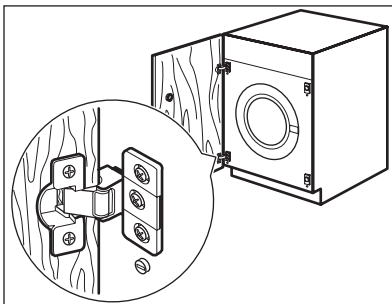
You can extend the drain hose to maximum 400 cm. Contact the service centre for the other drain hose and the extension.

14.6 Building in

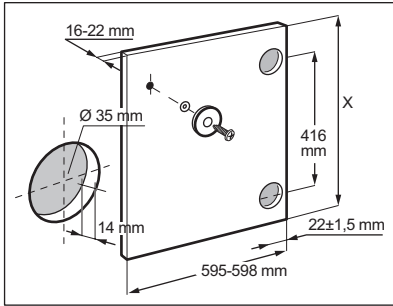


This appliance has been designed to be built into the kitchen furniture. The recess should have the dimensions shown in this picture.

14.7 Preparation and assembly of the door



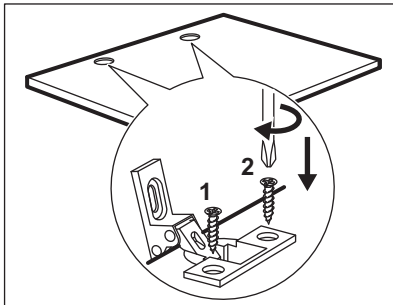
The appliance is originally pre-arranged for the assembly of a door opening from right to left.



Door

The dimensions of the door should be:

- width 595 - 598 mm
- thickness 16-22 mm
- the height X depends on the height of the adjacent furniture's base.

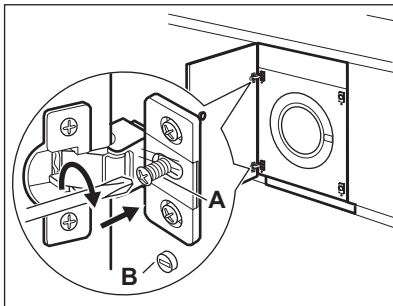


Hinges

To mount the hinges it is necessary to drill two holes (dia. 35 mm, depth 12.5-14 mm depending on the depth of door furniture) on the inner side of the door.

The distance between the holes hobs fixing centres must be 416 mm. The distance from upper edge of the door to the centre of the hole depends on the adjacent furniture's dimensions.

The hinges will be fixed to the door by means of screws for wood **1** and **2** supplied with the appliance.



Mounting the door

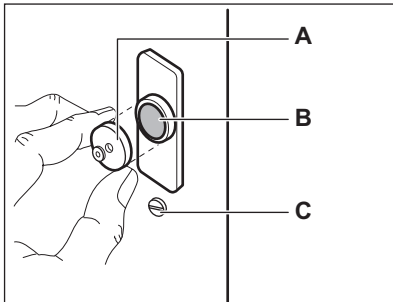


WARNING!

Do not remove the screw **B**.

Fix the hinges to the appliance by means of the M5x15 screws.

The hinges can be adjusted to compensate for possible uneven thickness of the door. To align the door perfectly it is necessary to loosen the screw, adjust the door and tighten the screw **A** again.



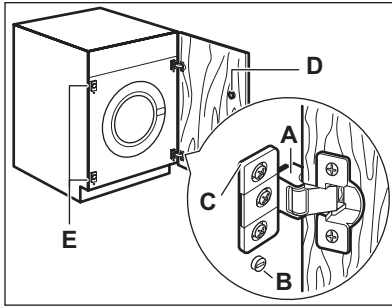
Counter-magnet



WARNING!

Do not remove the screw **B**.

The appliance is prearranged for a magnetic closure of the door. To enable a correct operation of this device, it is necessary to screw the counter-magnet **A** (steel disk + rubber ring) in-to the inner side of the door. Its position must correspond to the magnet **B** on the appliance.

**WARNING!**

Do not remove the screw **B**.


If the door has to be opened from left to right, invert the position of the plates **E**, the magnet **D** and the plate **C**. Mount the counter-magnet **D** and the hinges **A** as previously described.


15. TECHNICAL DATA

Dimension	Width/ Height/ Depth/ Total depth	596 mm/ 820 mm/ 544 mm/ 560 mm
Electrical connection	Voltage Overall power Fuse Frequency	220-230 V 2000 W 10 A 50 Hz
Level of protection against ingress of solid particles and moisture ensured by the protective cover, except where the low voltage equipment has no protection against moisture		IPX4
Water supply pressure	Minimum Maximum	0,5 bar (0,05 MPa) 8 bar (0,8 MPa)
Water supply ¹⁾		Cold water
Maximum Load	Cotton	7 kg
Energy Efficiency Class		A++
Spin Speed	Maximum	1400 rpm

¹⁾ Connect the water inlet hose to a water tap with a 3/4" thread.

16. ENVIRONMENT CONCERNS

Recycle the materials with the symbol . Put the packaging in applicable containers to recycle it. Help protect the environment and human health and to recycle waste of electrical and electronic appliances. Do not dispose appliances

marked with the symbol  with the household waste. Return the product to your local recycling facility or contact your municipal office.

www.electrolux.com/shop



132903300-A-432014

